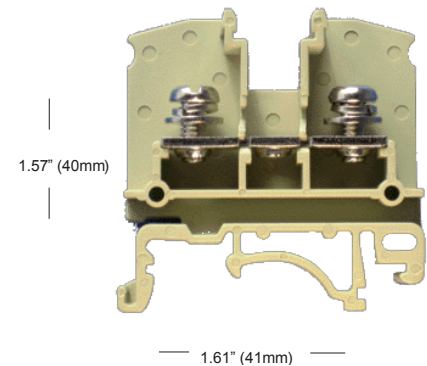


Ring Lug Terminal Block Conectores para Terminal Ojal

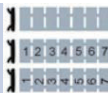
The ASIST series of DIN rail mounted terminal blocks is a complete family of modular terminal blocks ranging in size from 1.5mm² to 25mm² for feed-through wiring. Also included are double level blocks to save space in the panel, multiple connection blocks to reduce wire and terminal block jumpers, fuse blocks and a sliding link block for control transformer and other electrical circuits. The ASIST series is ideal for industries such as electric utilities, switchgear and electrical panel manufacturers and others requiring a ring tongue terminal on the wire to insure a secure connection.

The ASIST series of ring lug terminal blocks has more features than competing terminal blocks and are made of higher quality materials, such as UL94V0 polyamide housings. Features include:

- ▶ Screw accepts both slotted and Phillips head screwdriver.
- ▶ Screw is nickel plated to insure better corrosion protection.
- ▶ Flat and locking washers are standard, providing better terminal contact and locking the connector in place.
- ▶ Terminal blocks accept a jumper internally for connecting adjacent terminal blocks.
- ▶ Current carrying bar is over 75% bigger than the competition to insure maximum current handling capability.
- ▶ Large marking strips provide easy labeling and they snap onto the blocks in strips of 10 to save time.
- ▶ Housing material rated at UL94V0.
- ▶ Double level and multiple connection blocks are available.
- ▶ Fuse blocks are available.
- ▶ Sliding link disconnect blocks are available.



Terminal width .29" (7.2mm)
Terminal espesor

SPECIFICATIONS			ASIST1.5		
WIRE RANGE Sección Transversal	CURRENT (A) Corriente	VOLTAGE (V) Tensión			
20 - 14 AWG	20	600			
Screw Size / Rosca			M3		
Tightening Torque / Par de apriete			4.5-6 Lb In.		
Ordering Information			CATALOG No.	Pcs/Pkg	
Terminal block, standard	Beige/Bege		ASI271002	50	
Accessories / Accesorios			CATALOG No.	Pcs/Pkg	
End Cover / Tapa	Beige/Bege		ASI272001	25	
Circuit bridges, pre-assembled internal bridge Puentes conectores	2 position 3 position 10 position		ASI273001 ASI273002 ASI273003	25 25 10	
External Bridges / Puentes Externos	2 position 3 position		ASI273019 ASI273020	25 25	
Marker System, strip of 10 blank markers	1-10 Horizontal 1-10 Vertical		ASI274001 ASI274002 ASI274003	25 25 25	
End Stop / Tope final	Universal (tool-less) 35mm rail only		ASIUD1B	25	
Assembly Marker (mounts on End Stop)			ASIUKJBJ	10	
Mounting Rail / Rieles, slotted symmetrical 35mm x 7.5mm – 2 meter 1 meter			PR005 PR005-1M	1 1	
DIN Rail Cutter			ASI305001	1	
Crimp Tool			UMCT3129	1	
Ring Lugs	22-16 AWG 16-14 AWG 12-10 AWG	Red Blue Yellow	RF-M3 BF-M3 GF-M3	100 100 100	
Fork Lugs	22-16 AWG 16-14 AWG	Red Blue	RF-U3 BF-U3	100 100	